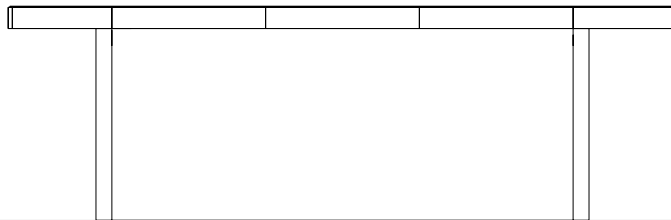
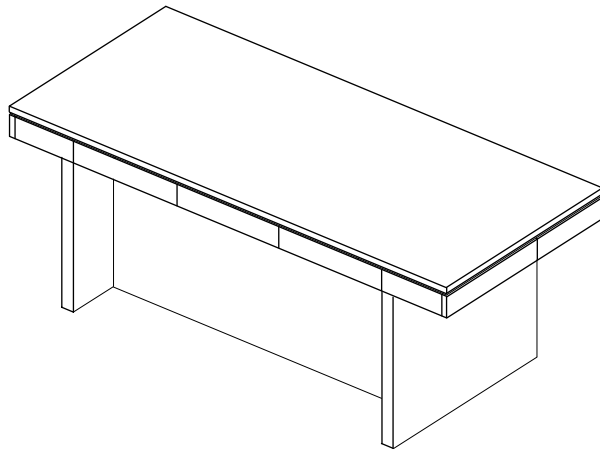


BROOME

WORK TABLE № 20

large community work table with shallow drawers



DIMENSIONS: 126" W x 42" T x 48" D

WOOD FINISHES: various veneers and stains or spray lacquer paint

METAL FINISHES: brass, stainless steel, blackened steel, or paint

HARDWARE: Häfele, Blum, or custom

OPTIONS: veneer, color, hardware, and dimensions